

Version correct as of 03/01/2015. (c) The British Standards Institution 2013 Licensed copy: Lee Shau Kee Library, HKUST. Version correct as of 03/01/2015. (c) The British Standards Institution 2013 Licensed copy: Lee Shau Kee Library, HKUST.

BS EN 840-1:2012

Incorporating corrigendum September 2014



BSI Standards Publication

Mobile waste and recycling containers

Part 1: Containers with 2 wheels with a capacity up to 400 l for comb lifting devices — Dimensions and design

bsi.

...making excellence a habit.™

National foreword

This British Standard is the UK implementation of EN 840-1:2012. It supersedes BS EN 840-1:2004, which is withdrawn.

BSI, as a member of CEN, is obliged to publish EN 840-1 as a British Standard. However, attention is drawn to the fact that during the development of this European Standard, the UK committee voted against its approval as a European Standard. Two of the major manufacturers of plastic wheeled containers have expressed concern regarding the apparent use of dimensions in the standard which would appear to exclude containers presently on the market in the UK and in use by both public and private sectors. These concerns were addressed at a CEN working group meeting and the UK committee therefore wish to point out the following:

- a) the volume criteria present in Table 1 of the standard should be interpreted separately from the dimensions which appear in Table 2 and Table 3 of the standard, i.e. the two criteria, volumes and dimensions are mutually exclusive; and
- b) products are included in EN 840-1:2012 if they fulfil EN 840-1:2004.

The UK participation in its preparation was entrusted by Technical Committee B/508, Waste Management to Subcommittee B/508/1, Waste containers and associated lifting devices on refuse collection vehicles.

A list of organizations represented on this subcommittee can be obtained on request to its secretary.

This publication does not purport to include all the necessary provisions of a contract. Users are responsible for its correct application.

© The British Standards Institution 2014.
Published by BSI Standards Limited 2014.

ISBN 978 0 580 82603 0

ICS 13.030.40

Compliance with a British Standard cannot confer immunity from legal obligations.

This British Standard was published under the authority of the Standards Policy and Strategy Committee on 31 December 2012.

Amendments/corrigenda issued since publication

Date	Text affected
30 September 2014	National foreword updated to include additional informative text

EUROPEAN STANDARD

EN 840-1

NORME EUROPÉENNE

EUROPÄISCHE NORM

December 2012

ICS 13.030.40

Supersedes EN 840-1:2004

English Version

Mobile waste and recycling containers - Part 1: Containers with 2 wheels with a capacity up to 400 l for comb lifting devices - Dimensions and design

Conteneurs roulants à ordures ménagères et recyclables -
Partie 1 : Conteneurs à 2 roues de capacité inférieure ou
égale à 400 l pour lève-conteneurs à peigne - Dimensions
et conception

Fahrbare Abfall- und Wertstoffbehälter - Teil 1: Behälter mit
2 Rädern und einem Nennvolumen bis 400 l für
Kammshüttungen - Maße und Formgebung

This European Standard was approved by CEN on 22 September 2012.

CEN members are bound to comply with the CEN/CENELEC Internal Regulations which stipulate the conditions for giving this European Standard the status of a national standard without any alteration. Up-to-date lists and bibliographical references concerning such national standards may be obtained on application to the CEN-CENELEC Management Centre or to any CEN member.

This European Standard exists in three official versions (English, French, German). A version in any other language made by translation under the responsibility of a CEN member into its own language and notified to the CEN-CENELEC Management Centre has the same status as the official versions.

CEN members are the national standards bodies of Austria, Belgium, Bulgaria, Croatia, Cyprus, Czech Republic, Denmark, Estonia, Finland, Former Yugoslav Republic of Macedonia, France, Germany, Greece, Hungary, Iceland, Ireland, Italy, Latvia, Lithuania, Luxembourg, Malta, Netherlands, Norway, Poland, Portugal, Romania, Slovakia, Slovenia, Spain, Sweden, Switzerland, Turkey and United Kingdom.



EUROPEAN COMMITTEE FOR STANDARDIZATION
COMITÉ EUROPÉEN DE NORMALISATION
EUROPÄISCHES KOMITEE FÜR NORMUNG

Management Centre: Avenue Marnix 17, B-1000 Brussels

Contents

Page

Foreword.....	3
1 Scope	4
2 Normative references	4
3 Terms and definitions	4
4 Volumes	5
5 Dimensions and design	5
6 Nominal mass.....	6
7 Safety and health requirements	6
8 Testing	6
9 Marking	6
10 Designation	7
Annex A (informative) Nomenclature	12
Annex B (informative) Recommendations for manufacturers of lifting devices	16
Annex C (informative) A-Deviations	17
Bibliography	18

Foreword

This document (EN 840-1:2012) has been prepared by Technical Committee CEN/TC 183 “Waste management”, the secretariat of which is held by DIN.

This European Standard shall be given the status of a national standard, either by publication of an identical text or by endorsement, at the latest by June 2013, and conflicting national standards shall be withdrawn at the latest by June 2013.

Attention is drawn to the possibility that some of the elements of this document may be the subject of patent rights. CEN [and/or CENELEC] shall not be held responsible for identifying any or all such patent rights.

This document supersedes EN 840-1:2004.

Technical changes since the latest edition:

- The content was adapted to the current state of the art and revised editorially.
- Figure 3 – The functional dimension 28 for frontal receivers and the dimension 28 were redefined.

This European Standard is one part of the series of standards of EN 840 with the main title *Mobile waste and recycling containers* comprising the following parts:

- *Part 1: Containers with 2 wheels with a capacity up to 400 l for comb lifting devices — Dimensions and design* (the present document);
- *Part 2: Containers with 4 wheels with a capacity up to 1 300 l with flat lid(s), for trunnion and/or comb lifting devices — Dimensions and design*;
- *Part 3: Containers with 4 wheels with a capacity up to 1 300 l with dome lid(s), for trunnion and/or comb lifting devices — Dimensions and design*;
- *Part 4: Containers with 4 wheels with a capacity up to 1 700 l with flat lid(s), for wide trunnion or BG- and/or wide comb lifting devices — Dimensions and design*;
- *Part 5: Performance requirements and test methods*;
- *Part 6: Safety and health requirements*.

According to the CEN/CENELEC Internal Regulations, the national standards organisations of the following countries are bound to implement this European Standard: Austria, Belgium, Bulgaria, Croatia, Cyprus, Czech Republic, Denmark, Estonia, Finland, Former Yugoslav Republic of Macedonia, France, Germany, Greece, Hungary, Iceland, Ireland, Italy, Latvia, Lithuania, Luxembourg, Malta, Netherlands, Norway, Poland, Portugal, Romania, Slovakia, Slovenia, Spain, Sweden, Switzerland, Turkey and the United Kingdom.

1 Scope

This European Standard specifies dimensions and design requirements of mobile waste and recycling containers with 2 wheels, with capacity up to 400 l to be used by comb lifting devices.

2 Normative references

The following documents, in whole or in part, are normatively referenced in this document and are indispensable for its application. For dated references, only the edition cited applies. For undated references, the latest edition of the referenced document (including any amendments) applies.

EN 840-5, *Mobile waste and recycling containers — Part 5: Performance requirements and test methods*

EN 840-6, *Mobile waste and recycling containers — Part 6: Safety and health requirements*

EN 1501-5, *Refuse collection vehicles — General requirements and safety requirements — Part 5: Lifting devices for refuse collection vehicles*

EN ISO 11469, *Plastics — Generic identification and marking of plastics products (ISO 11469)*

3 Terms and definitions

For the purposes of this document, the following terms and definitions apply.

NOTE Terms for components of mobile waste and recycling containers and lifting devices in three languages are given in Annex A.

3.1 mobile waste and recycling container

appropriately designed container fitted with wheels intended to temporarily store waste

3.2 lifting device

structure which picks-up, tilts and empties containers

3.3 comb lifting device

lifting device in which the picking-up system consists of a row of teeth and a locking system to retain the container during emptying

3.4 volume

total space inside the container when the lid is closed

Note 1 to entry: See Table 1.

3.5 nominal volume

capacity
volume stated by the manufacturer

Note 1 to entry: See Table 1 without tolerances.

Note 2 to entry: The English term "capacity" and the French term "capacité" are translated in the German version by the term "Nennvolumen".

3.6

nominal load

load mass as given in Clause 6

3.7

total permissible mass

mass of the container plus the nominal load

3.8

functional and safety dimensions

essential dimensions which ensure the functionality and interchangeability of the container with the compatible lifting device and which are necessary for the operator's safety and health

4 Volumes

This standard identifies the two classes of containers:

- Class I - small size (nominal volume up to 200 l);
- Class II - large size (nominal volume between 200 l and 400 l).

Within the two above-mentioned classes of containers the volumes shown in Table 1 are identified.

Table 1 — Volumes

Volume in l										
60^{+13}_{-5}	80^{+18}_{-5}	120^{+8}_{-6}	140^{+6}_{-12}	180^{+40}_{-10}	190^{+25}_{-10}	210^{+15}_{-5}	240^{+15}_{-5}	260^{+25}_{-5}	340^{+40}_{-25}	390 ± 20

For methods of measuring capacity, see EN 840-5.

The volumes shown in Table 1 correspond to mobile waste and recycling container's capacities at present used in Europe. Since there are some overlapping capacities due to the tolerances, client and manufacturer shall decide while ordering the capacity chosen.

Nominal volumes different from those referenced in Table 1 can be used by agreement between user and manufacturer. The tolerance of the volumes shall be $\pm 10\%$ maximum measured according to EN 840-5.

5 Dimensions and design

5.1 The design of the containers need not correspond to the drawings given in Figure 1. The functional dimensions given in Tables 2 and 3 shall be respected.

5.2 The container shall be constructed so that when it is unloaded or loaded with a nominal load (see Clause 6), it fits on an approved compatible lifting device. It shall be automatically locked safely into the lifting device during the lifting operation. The frontal receiver shall correspond to one of the options given in Figure 2 (Form A or B).

5.3 The lid(s) shall cover the opening of the container completely. It shall be opened easily by itself during the emptying cycle. It/they shall be made with at least 2 fixing points and have at least one means of opening.

5.4 Each wheel shall be capable of withstanding a static load of 100 kg.

5.5 All the surfaces of the container including design features shall be smooth and free of any foreign bodies or flaws.

5.6 The container shall be able to be immobilised by design.

6 Nominal mass

The container shall be constructed strongly enough to carry a mass of $0,4 \text{ kg/dm}^3$ x nominal volume.

7 Safety and health requirements

The container shall meet the safety and health requirements according to EN 840-6.

8 Testing

The container shall fulfil the performance requirements and the tests of EN 840-5.

9 Marking

9.1 Each container complying with the requirements of this European Standard shall be durably and readably marked on the body in a visible part with:

- number of this European Standard (EN 840-1);
- nominal volume;
- manufacturer's name or trademark;
- total permissible mass, in kilograms;
- year and month of manufacturing.

9.2 Plastic parts of containers, lids and wheels shall be marked in accordance with EN ISO 11469. The use of recycled materials is allowed, presuming that all requirements of this standard are complied with.

10 Designation

The container complying with the requirements of this European Standard shall be designated as follows:

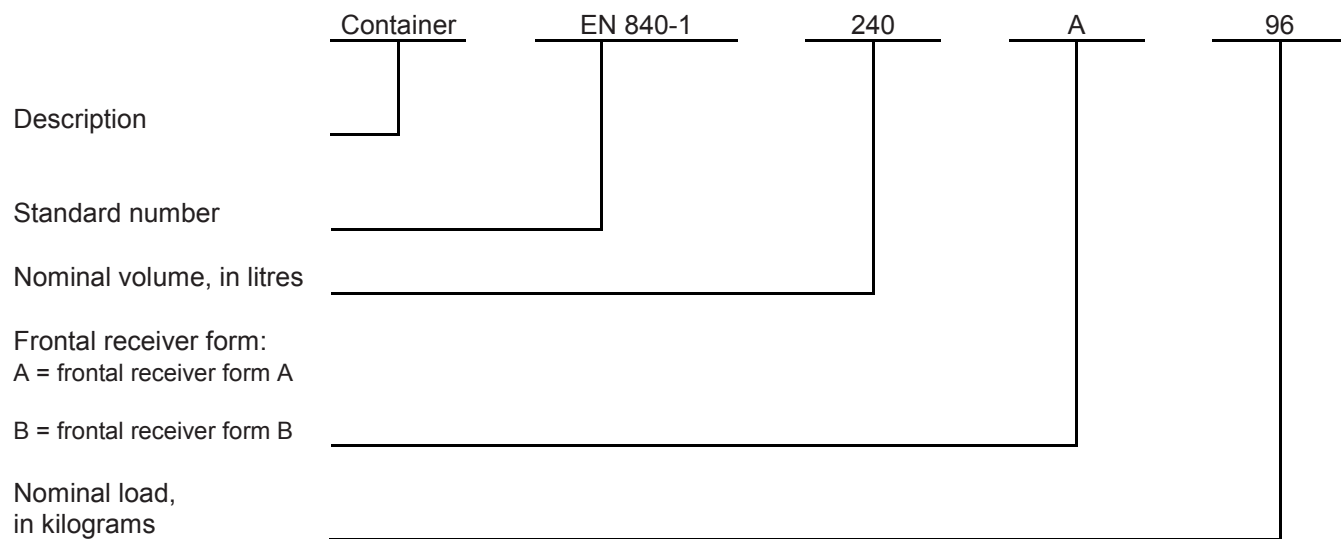


Table 2 — Dimensions for containers from 60 l to 180 l – Class I (up to 200 l)

Dimensions in millimetres

Dimension N°	60 l		120 l	140 l	180 l	Remarks
	Type a	Type b				
1a	448 ± 5	480 ± 5	505 max.	505 max.	505 max.	Total width of the container
2a	448 ± 5	480 ± 5	480 ± 5	480 ± 5	480 ± 5	Width of the frontal receiver
3	530 max.	555 max.	555 max.	555 max.	755 max.	
4	1 005 max		1005 max.	1 100 max.	1 100 max.	Total height including handles on the lid
5a	860 min.; 970 max.		860 min.; 970 max.	860 min.; 1030 max.	860 min.; 1030 max.	
6	450 max.	490 max.	490 max.	490 max.	500 max.	
7	1 010 max.		1010 max.	1 155 max.	1 200 max.	
8	430 min.; 670 max.		430 min.; 670 max.	430 min.; 670 max.	560 min; 760 max	For 300 mm wheels, the maximum dimension is 70 mm more.
9a	410 max.	450 max.	450 max.	450 max.	465 max.	
10	320 ± 10	385 max	385 max.	385 max.	410 max.	
11a	200 ⁺¹ ₋₅		200 ⁺¹ ₋₅	200 ⁺¹ ₋₅	200 ⁺¹ ₋₅	Larger wheels accepted
12a	19 min.		19 min.	19 min.	19 min.	
13a	6 ⁺² _{-4,5}		6 ⁺² _{-4,5}	6 ⁺² _{-4,5}	6 ⁺² _{-4,5}	
15a	13 ⁺⁵ ₋₃		13 ⁺⁵ ₋₃	13 ⁺⁵ ₋₃	13 ⁺⁵ ₋₃	
16a	21 ⁺² ₋₂		21 ⁺² ₋₂	21 ⁺² ₋₂	21 ⁺² ₋₂	
17	-		-	-		This dimension is no longer used.
18a	26 ± 1		26 ± 1	26 ± 1	26 ± 1	
19a	58 max.		58 max.	58 max.	58 max.	
20	20 min.		20 min.	20 min.	20 min.	
21a	130 max.		130 max.	130 max.	130 max.	
22	15 max.		15 max.	15 max.	15 max.	
23	33 ⁺⁸ ₀		33 ⁺⁸ ₀	33 ⁺⁸ ₀	33 ⁺⁸ ₀	
26a	147 ± 8	180 ± 5	180 ± 5	180 ± 5	180 ± 5	Compulsory dimensions when ribs are fitted, max. ribs thickness 6 mm A middle rib is allowed, but only for Volume ≥ 200 l
27	270° min.		270° min.	270° min.	270° min.	
28						The dimension No 28 has to correspond to the lifting device. Definition in accordance with comb dimension, standard and identification character of EN 1501-5

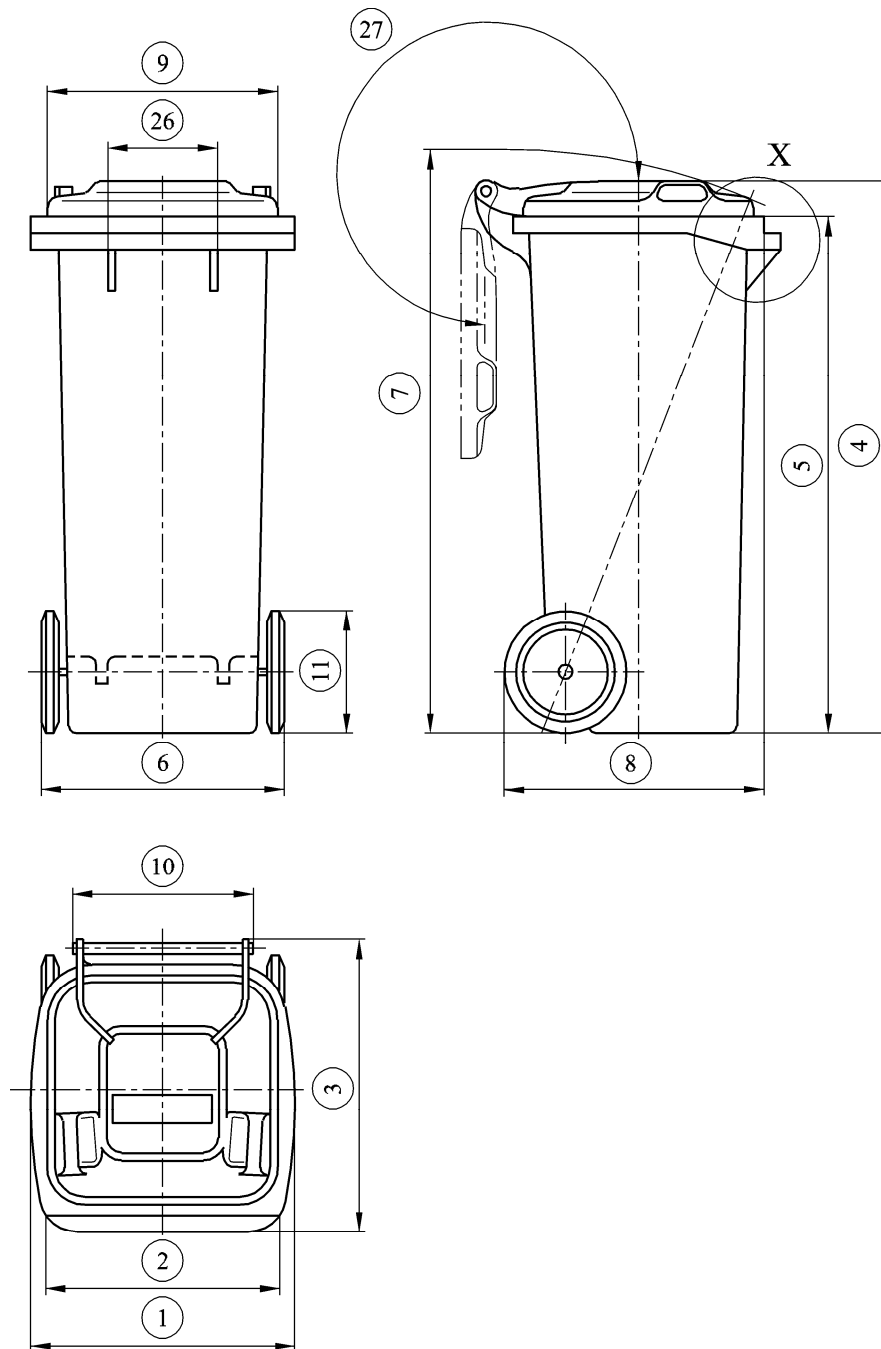
^a Compulsory dimensions for functional and safety reasons. The other dimensions indicated are suggested recommended values.

Table 3 — Dimensions for containers from 210 I to 400 I – Class II (> 200 I)

Dimensions in millimetres

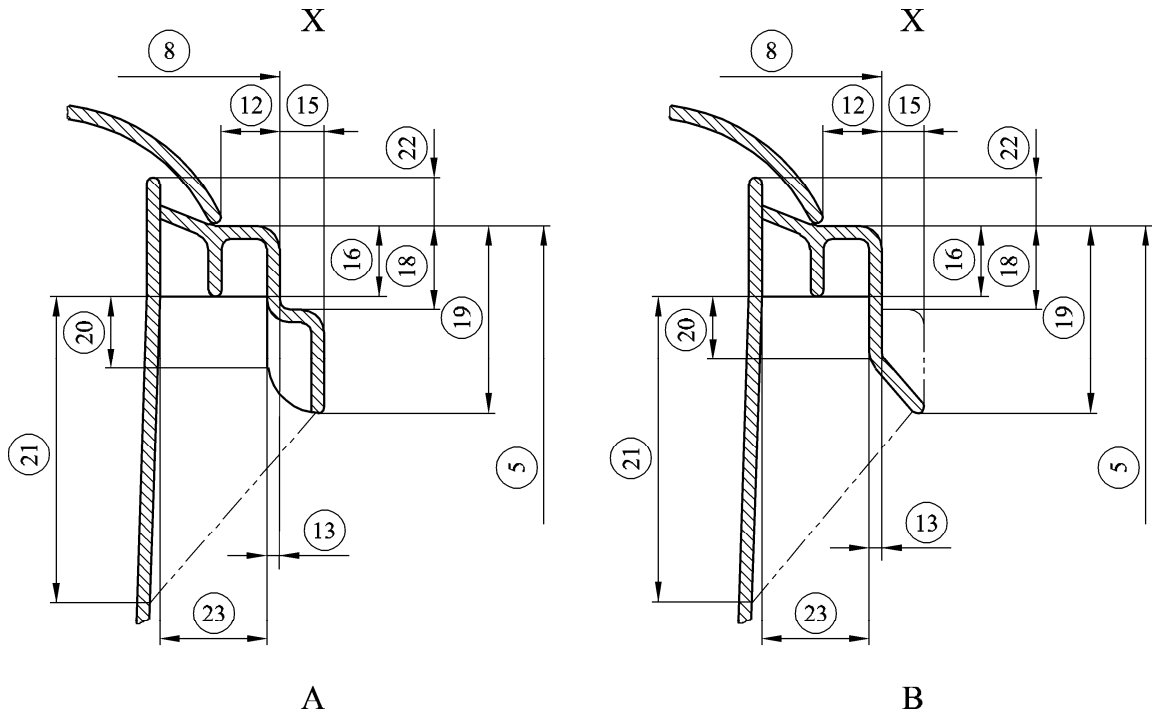
Dimension N°	210 I		240 I	340 I	390 I		Remarks
	Type a	Type b			Type a	Type b	
1 ^a	546 ± 5		580 ± 5	665 max.	755 ⁺⁵ ₋₁₅		Total width of the container
2 ^a	546 ± 5	480 ± 5	580 ± 5	655 max	745 ⁺⁵ ₋₁₅	660 ± 10	Width of the frontal receiver
3	730 max.		740 max.	880 max.	810 max.		
4	1 100 max.		1 100 max.	1 115 max.	1 100 max.		Total height including handles on the lid
5 ^a	860 min.; 1 030 max.		860 min.; 1 030 max.	860 min.; 1 030 max.	860 min.; 1 030 max.		
6	565 max.		590 max.	650 max.	775 max.		
7	1 180 max.		1 190 max.	1 250 max.	1 200 max.		
8	560 min.; 760 max.		560 min; 760 max.	560 min; 760 max.	560 min.; 760 max.		For 300 mm wheels, the maximum dimension is 70 mm more.
9 ^a			557 max.				Not for 210, 340 and 390
10	515 ± 15		430 ⁺²⁰ ₋₃₀	565 max.	722 ± 5		
11 ^a	200 ⁺¹ ₋₅		200 ⁺¹ ₋₅	200 ⁺¹ ₋₅	200 ⁺¹ ₋₅		Larger wheels accepted
12 ^a	19 min.		19 min.	19 min.	19 min.		
13 ^a	6 ⁺² _{-4,5}		6 ⁺² _{-4,5}	6 ⁺² _{-4,5}	6 ⁺² _{-4,5}		
15 ^a	13 ⁺⁵ ₋₃		13 ⁺⁵ ₋₃	13 ⁺⁵ ₋₃	13 ⁺⁵ ₋₃		
16 ^a	21 ⁺² ₋₂		21 ⁺² ₋₂	21 ⁺² ₋₂	21 ⁺² ₋₂		
17 ^a	-		-	-	-		This dimension is no longer used.
18 ^a	26 ± 1		26 ± 1	26 ± 1	26 ± 1		
19 ^a	58 max.		58 max.	58 max.	58 max.		
20 ^a	20 min.		20 min.	20 min.	20 min.		
21 ^a	130 max.		130 max.	130 max.	130 max.		
22	15 max.		15 max.	15 max.	15 max.		
23 ^a	33 ⁺⁸ ₀		33 ⁺⁸ ₀	33 ⁺⁸ ₀	33 ⁺⁸ ₀		
26 ^a	291 ± 5	180 ± 5	291 ⁺³ ₋₅	300 ⁺⁵ ₋₁₀	390 ⁺⁵ ₋₁₀	291 ± 5	Compulsory dimensions when ribs are fitted, max. ribs thickness 6 mm
27	270° min.		270° min.	270° min.	270° min.		
28							The dimension No 28 has to correspond to the lifting device. Definition in accordance with comb dimension, standard and identification character of EN 1501-5.

^a Compulsory dimensions for functional and safety reasons. The other dimensions indicated are suggested recommended values.



NOTE For more details regarding the dimensions, see Tables 2 and 3.

Figure 1 — System dimensions



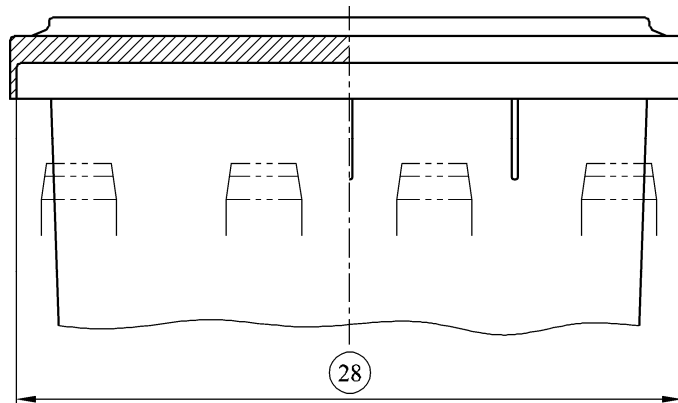
Key

A Form A

B Form B

NOTE For more details regarding the dimensions, see Tables 2 and 3.

Figure 2 — Frontal receiver



NOTE For more details regarding the dimensions, see Tables 2 and 3.

Figure 3 — Functional dimension for frontal receivers

Annex A (informative)

Nomenclature

Table A.1 — Terms of waste and recycling containers, lifting devices and waste collection vehicles

No	English	French	German
1	Waste and recycling container	Conteneur à ordures ménagères et recyclables	Abfall- und Wertstoffbehälter
2	Large-scale refuse container	Grand conteneur pour déchets	Abfallgroßbehälter
3	Bulk refuse container	Grand conteneur	Großbehälter
4	Container	Conteneur	Behälter
5	Mobile waste and recycling container	Conteneur roulant à ordures ménagères et recyclables	fahrbare Abfall- und Wertstoffbehälter
6	Disposable container	Conteneur à usage unique	Einwegbehälter
7	Dustbin	Poubelle	Abfalltonne
8	Refuse sack	Sac à déchets	Abfallsack
9	Sackstand	Support sac	Abfallsackständer
10 ^a	Body	Corps	Rumpf
11 ^a	Draft angle	Angle de dépouille	Freiwinkel
12 ^a	Lid	Couvercle	Deckel
13	Load	Charge utile	Nutzlast
14	Volume	Volume	Volumen
15	Total volume	Volume total	Gesamtvolumen
16	Body volume	Volume du corps	Rumpfvolumen
17	Lid volume	Volume du couvercle	Deckelvolumen
18	Tolerance	Tolérance	Toleranz
19	Surface	Surface	Oberfläche
20	Ground clearance	Garde au sol	Bodenfreiheit
21	Side	Côté	Seite
22 ^a	Right side	Côté droit	Rechte Seite
23 ^a	Left side	Côté gauche	Linke Seite
24 ^a	Front face	Face avant	Vorderseite
25 ^a	Back face	Face arrière	Rückseite
26 ^a	Wheel	Roue	Rad
27 ^a	Axle	Axe	Achse

Table A.1 (continued)

No	English	French	German
28 ^a	Hinge	Charnière	Scharnier
29	Lid spring	Ressort de couvercle	Deckelfeder
30	Hinge pin	Verrou d'axe	Gelenkbolzen
31	Lid seal	Joint de couvercle	Gummischutzleiste
32	Lid trunnion	Tenon de couvercle	Deckelzapfen
33 ^a	Handle	Poignée	Griff
34	Clearance of handle	Ouverture de poignée	Griff freiraum
35	Handle height	Niveau de poignée	Griffhöhe
36	Braking system	Système de freinage	Bremssystem
37	Brake pedal	Pédale de frein	Bremspedal
38	Direction lock	Blocage directionnel	Lenksperre
39	Locking system	Verrouillage	Verriegelung
40 ^a	Drain plug	Bonde de vidange	Wasserablauf
41	Travelling gear	Dispositif de roulage	Fahrwerk
42 ^a	Top rim	Collerette	Behälterrand
43 ^a	Tipping edge	Bord de déchargement	Schüttkante
44 ^a	Reinforcing rib	Gousset raidisseur	Verstärkungsrippen
45	Lifting device	Lève-conteneur	Schüttung
46 ^a	Frontal receiver	Prise frontale	Frontaufnahme
47	Comb lifting device	Lève-conteneur à peigne	Kammschüttung
48 ^a	Comb	Peigne	Kamm
49 ^a	Clamp	Pince pour retenir	Verriegelungsleiste
50 ^a	Pushing pad	Appui bas	Behälteranschlag
51 ^a	Shock absorber device	Dispositif d'amortissement	Behälter-Kippbegrenzung
52	Lateral receiver	Prise latérale	Seitenaufnahme
53	Trunnion lifting device	Basculeur par tourillon	Schüttung für Zapfenaufnahme
54 ^a	Trunnion	Tourillon de levage	Aufnahmezapfen
55	Lifting arm	Bras de prise	Schüttungsarm
^a See Figures A.1, A.2 and B.1.			

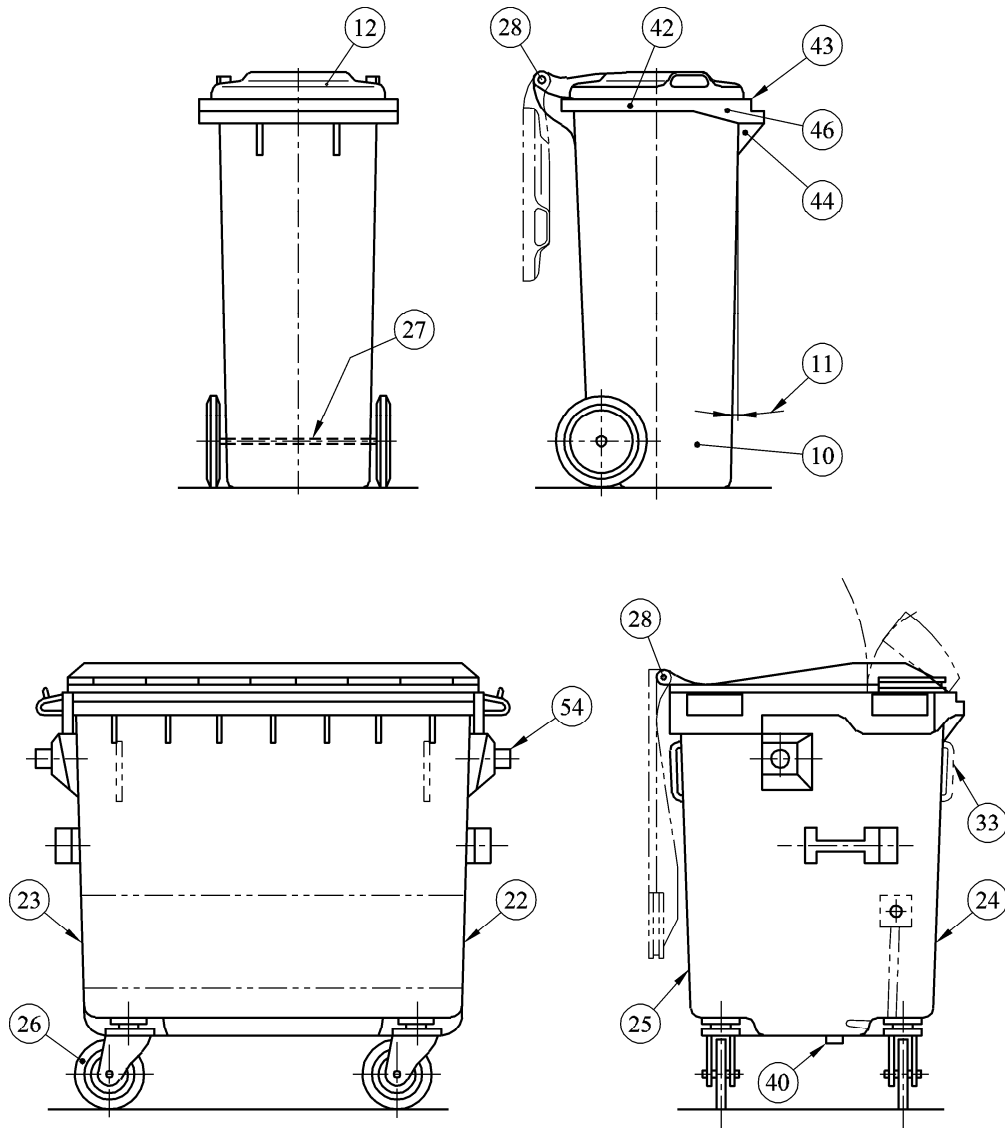


Figure A.1 — Terms

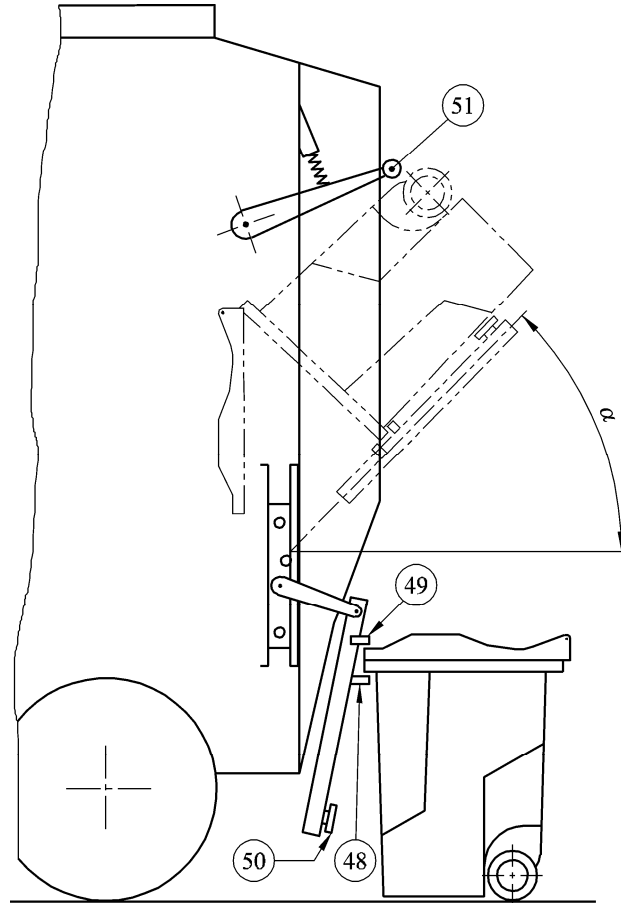


Figure A.2 — Terms

Annex B (informative)

Recommendations for manufacturers of lifting devices

Dimensions in millimetres

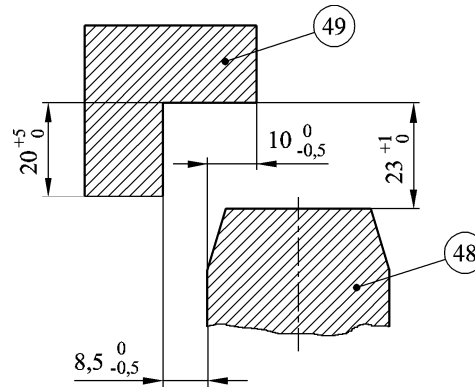


Figure B.1 — Comb lifting device

Annex C (informative)

A-Deviations

A-Deviation: National deviation due to regulations, the alteration of which is for the time being outside the competence of the CEN-CENELEC-member.

This European Standard does not fall under any Directive of the EU. In the relevant CEN-CENELEC-countries these A-deviations are valid instead of the provisions of the European Standard until they have been removed.

DENMARK

The EN 840-1 to EN 840-6 do not fulfil the national Danish legislation regarding requirements for health and safety. This legislation is based on *EEC-Directive 89/391/EC of 12 June 1989 and EEC-Directive 90/269/EEC of 29 May 1990*.

The Danish legislation is written down in "Executive Order No. 867 of 13 October 1994 concerning Performance of Work" and in "Executive Order No. 1164 of 16 December 1994 concerning Manual Handling" both given by the Minister of Work. The Legal understanding of the Executive Orders are written in the Danish Working Environment Service (WES) guidelines. WES-guideline No. 4.1.0.1 of 1993 describes "Manual handling and transportation of domestic garbage" and No. 4.1.0.2 describes "Construction of technical systems and equipment for handling domestic garbage" (former WES circular-order No. 10/1990).

Therefore the manual handling and use of containers described in EN 840-1 to EN 840-6 can be met in Denmark with additional requirements.

Bibliography

- [1] EN 1501-1, *Refuse collection vehicles — General requirements and safety requirements — Part 1: Rear loaded refuse collection vehicles*
- [2] EN 1501-2, *Refuse collection vehicles and associated lifting devices — General requirements and safety requirements — Part 2: Side loaded refuse collection vehicles*
- [3] EN 1501-3, *Refuse collection vehicles and their associated lifting devices — General requirements and safety requirements — Part 3: Front loaded refuse collection vehicles*
- [4] EN 14803, *Identification and/or determination of the quantity of waste*

British Standards Institution (BSI)

BSI is the national body responsible for preparing British Standards and other standards-related publications, information and services.

BSI is incorporated by Royal Charter. British Standards and other standardization products are published by BSI Standards Limited.

About us

We bring together business, industry, government, consumers, innovators and others to shape their combined experience and expertise into standards-based solutions.

The knowledge embodied in our standards has been carefully assembled in a dependable format and refined through our open consultation process. Organizations of all sizes and across all sectors choose standards to help them achieve their goals.

Information on standards

We can provide you with the knowledge that your organization needs to succeed. Find out more about British Standards by visiting our website at bsigroup.com/standards or contacting our Customer Services team or Knowledge Centre.

Buying standards

You can buy and download PDF versions of BSI publications, including British and adopted European and international standards, through our website at bsigroup.com/shop, where hard copies can also be purchased.

If you need international and foreign standards from other Standards Development Organizations, hard copies can be ordered from our Customer Services team.

Subscriptions

Our range of subscription services are designed to make using standards easier for you. For further information on our subscription products go to bsigroup.com/subscriptions.

With **British Standards Online (BSOL)** you'll have instant access to over 55,000 British and adopted European and international standards from your desktop. It's available 24/7 and is refreshed daily so you'll always be up to date.

You can keep in touch with standards developments and receive substantial discounts on the purchase price of standards, both in single copy and subscription format, by becoming a **BSI Subscribing Member**.

PLUS is an updating service exclusive to BSI Subscribing Members. You will automatically receive the latest hard copy of your standards when they're revised or replaced.

To find out more about becoming a BSI Subscribing Member and the benefits of membership, please visit bsigroup.com/shop.

With a **Multi-User Network Licence (MUNL)** you are able to host standards publications on your intranet. Licences can cover as few or as many users as you wish. With updates supplied as soon as they're available, you can be sure your documentation is current. For further information, email bsmusales@bsigroup.com.

BSI Group Headquarters

389 Chiswick High Road London W4 4AL UK



Revisions

Our British Standards and other publications are updated by amendment or revision.

We continually improve the quality of our products and services to benefit your business. If you find an inaccuracy or ambiguity within a British Standard or other BSI publication please inform the Knowledge Centre.

Copyright

All the data, software and documentation set out in all British Standards and other BSI publications are the property of and copyrighted by BSI, or some person or entity that owns copyright in the information used (such as the international standardization bodies) and has formally licensed such information to BSI for commercial publication and use. Except as permitted under the Copyright, Designs and Patents Act 1988 no extract may be reproduced, stored in a retrieval system or transmitted in any form or by any means – electronic, photocopying, recording or otherwise – without prior written permission from BSI. Details and advice can be obtained from the Copyright & Licensing Department.

Useful Contacts:

Customer Services

Tel: +44 845 086 9001

Email (orders): orders@bsigroup.com

Email (enquiries): cservices@bsigroup.com

Subscriptions

Tel: +44 845 086 9001

Email: subscriptions@bsigroup.com

Knowledge Centre

Tel: +44 20 8996 7004

Email: knowledgecentre@bsigroup.com

Copyright & Licensing

Tel: +44 20 8996 7070

Email: copyright@bsigroup.com

...making excellence a habit.™